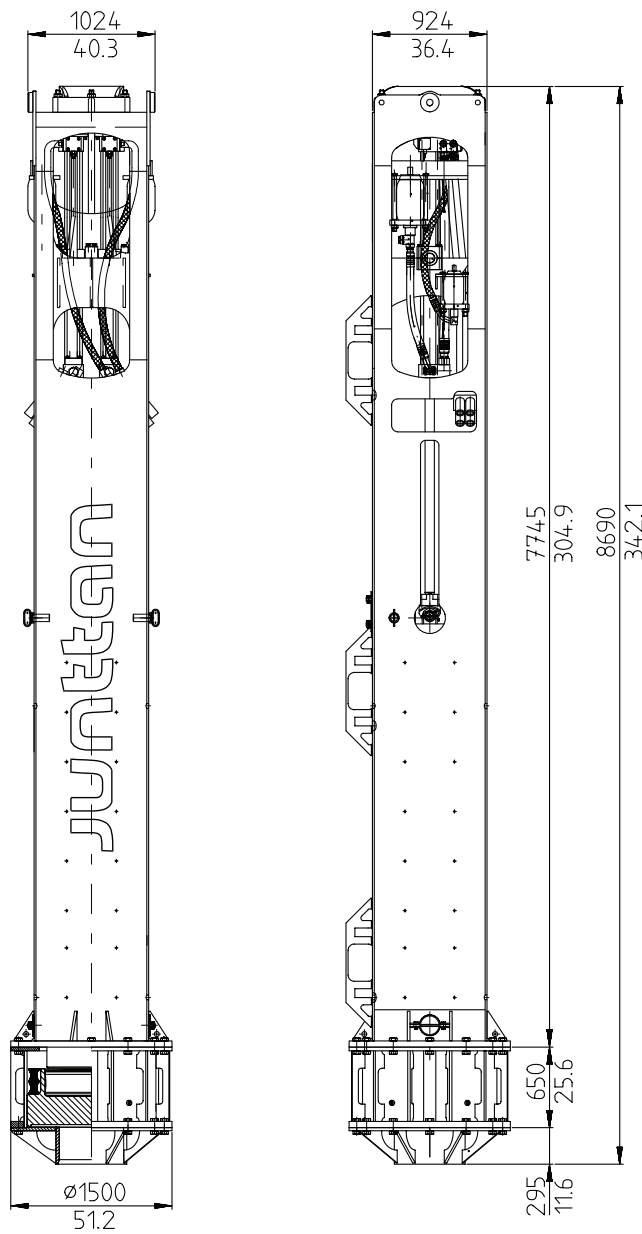


Hydraulic Impact Hammer

HHK 14S

HHK 14/16S



JUNTTAN HHK 14S

| | | | |
|---|----------------------------|---|--------------------|
| Max. energy | | 206 kNm | 151 893 ft-lb |
| Max drop height | | 1,5 m | 4.92 ft |
| Blows per minute | | 30 – 100 | 30 – 100 |
| Ram weight | | 14 000 kg | 30 865 lb |
| Total weight | including A-type drive cap | 23 800 kg | 52 470 lb |
| Oil flow | | 657 l/min | 174 gpm |
| Operating pressure | | 203 bar | 2 944 psi |
| Theoretical power output | | 222 kW | 302 hp |
| Hoses | | | |
| | – pressure line | 2 x 38 mm | 2 x 1 ½ inch |
| | – return line | 2 x 38 mm | 2 x 1 ½ inch |
| Drive cap housing (std) | Ø: | 1 280 mm | 50.4 inch |
| Drive cap types | A-type: | for metal tubes | for metal tubes |
| | B-type: | for concrete piles | for concrete piles |
| Drive cap max. inner diameter | A-type: | Ø 1 250 mm | 49.2 inch |
| | B-type: | <input type="checkbox"/> by special request | by special request |
| Larger drive cap diameters available on special request | | | |
| Suitable Powerpacks | | 15CCU – 30CCU | 15CCU – 30CCU |

Accessories

| | | | |
|-----------------------------|--|--|---------------------------------------|
| * Guide claws | | | * Lifting cat |
| * Extensions | | | * Flying leader |
| * Energy measurement device | | | * Additional noise insulation package |
| * Additional drive caps | | | * Powerpacks |
| * Pile sleeves | | | |

Technical details with extensions

| JUNTTAN HHK 14/16S | 16T | 16T | |
|--------------------------|----------------------------|---------------|-----------|
| Max. energy | 235 kNm | 173 592 ft-lb | |
| Max drop height | 1,5 m | 4.92 ft | |
| Blows per minute | 30 – 100 | 30 – 100 | |
| Ram weight | 16 000 kg | 35 274 lb | |
| Total weight | including A-type drive cap | 26 600 kg | 58 643 lb |
| Oil flow | 657 l/min | 657 gpm | |
| Operating pressure | 231 bar | 3 350 psi | |
| Theoretical power output | 253 kW | 344 hp | |
| Suitable Powerpacks | 15CCU – 30CCU | 15CCU – 30CCU | |

Junttan

Junttan Oy
P.O. Box 1702 (Matkuksentie 7)
FI-70701 KUOPIO, Finland

Tel. +358 10 195 221
Fax +358 17 287 4411
junttan@junttan.com