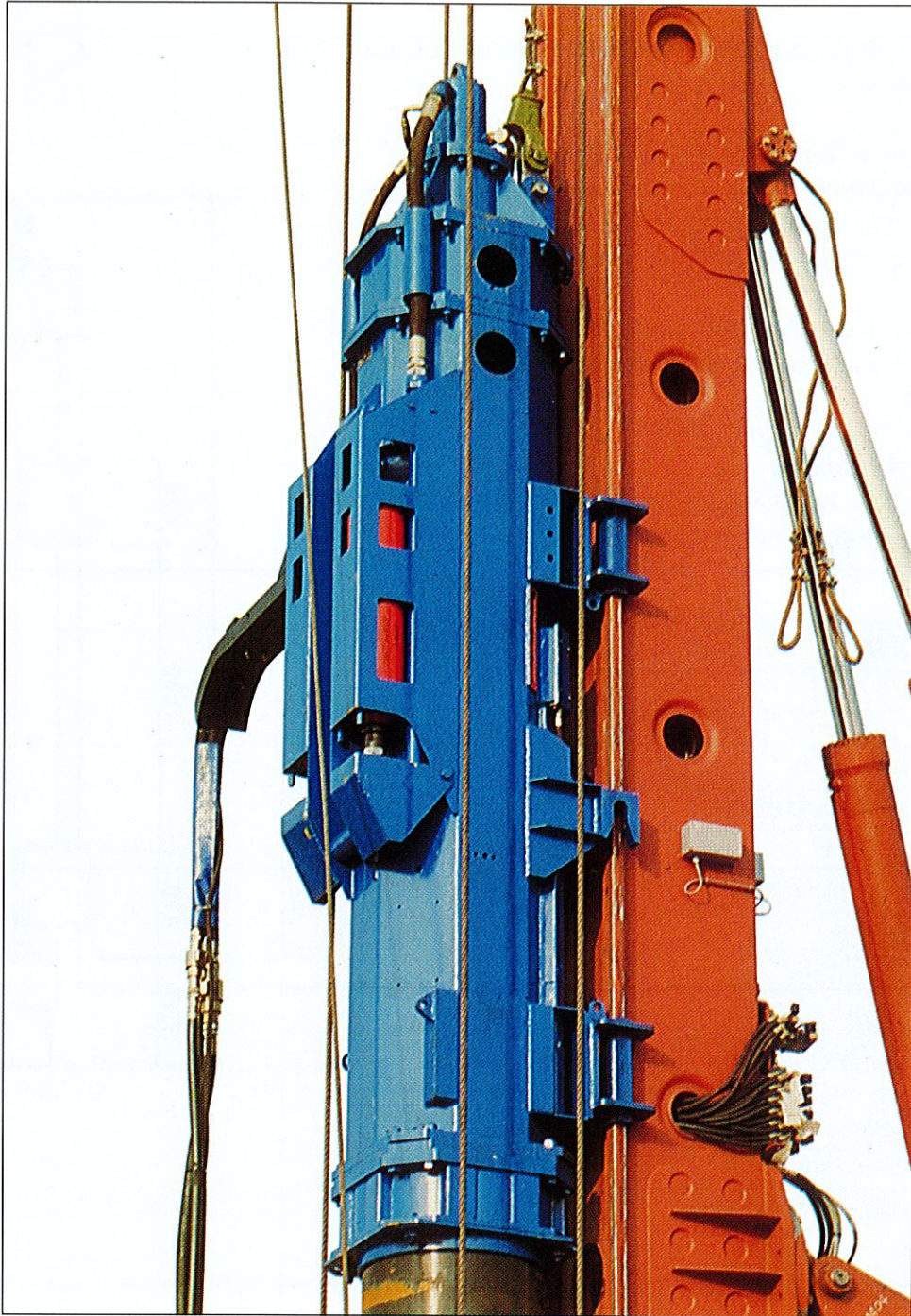


BSP HH5/6LD **HYDRAULIC HAMMER**



Q05585

A BRITISH STANDARD QUALITY ASSURED PRODUCT

BSP HH5/6LD Series HYDRAULIC HAMMER

For dedicated leader operation, the HH5/6LD Series with ram weights of 5 or 6 tonne, is able to operate to a maximum stroke of 1200mm. Incorporating the highly efficient BSP actuator system, the overall length of this range is minimised, allowing the pile length to be maximised.

Versatility

Can be operated from piling leader, in either land or marine environments, and used for driving all types of piles including high capacity bearing piles, either vertically or at a rake.

Controlability

Infinitely variable stroke and blow rate allows precise adjustment of the delivered energy.

Safety

Hammer stops automatically in the event of pile runaway.

Performance Monitored

Direct performance readout is possible from the optional BSP Energy Monitor and information may be downloaded to PC.

Power Supply

Able to operate on any hydraulic piling rig of adequate capacity. Alternatively BSP can supply a suitable power pack.

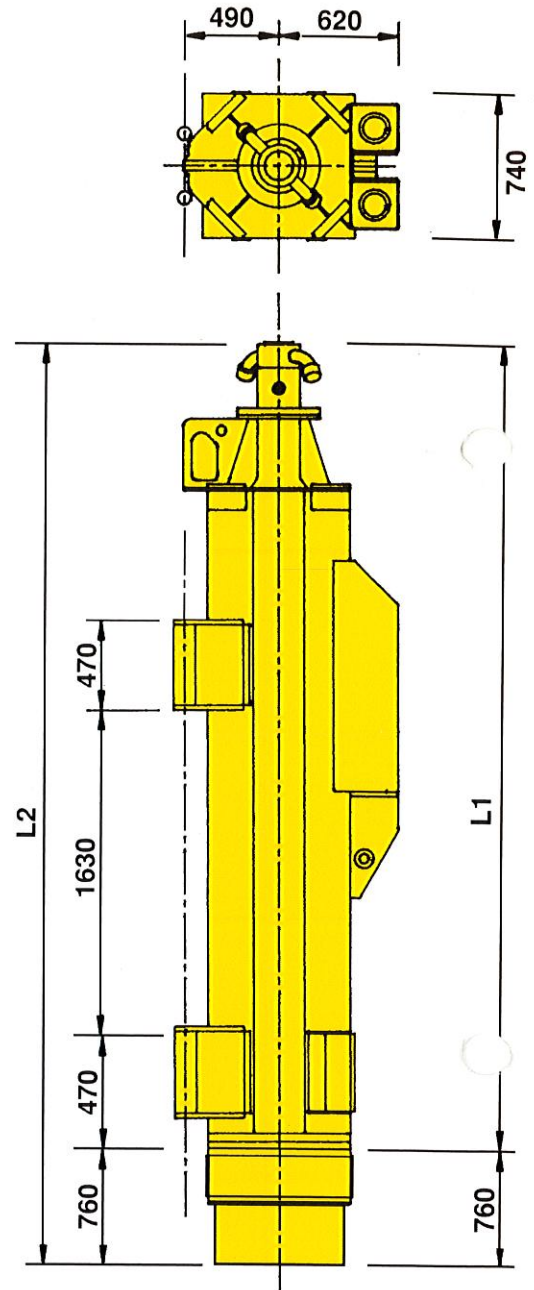
Quality Assured

Manufactured to BS5750 and ISO 9001

Environmental Acceptability

No exhaust gas from hammer, and noise output from hammer is reduced by adjusting the impact velocity, and using soft dolley material.

TECHNICAL DETAILS			
Hammer Size		HH5LD	HH6LD
Ram Weight	kg	5000	6000
Ram Stroke (Variable)	mm	200-1200	
Maximum Energy per Blow at Full Stroke	kNm	59	71
Blow Rate at 1200mm stroke	b/min	42	40
Potential Energy per Blow at Half Stroke	kNm	30	36
Blow Rate at 600mm Stroke	b/min	60	56
Hydraulic Oil Pressure at Hammer	bar	240	250
Hydraulic Oil Flow Rate at Hammer	l/min	180	180
Weight Basic Hammer (no drive cap or hoses)	kg	7100	8200
Weight Pile Helmet	kg	700	700
Weight Combined Hose (full of oil) kg/m	kg	10	10
Overall Length Basic Hammer (L1)	mm	4320	4695
Overall Length Hammer with Pile Helmet (L2)	mm	5080	5455
Width Basic Hammer	mm	740	740
Depth Basic Hammer (from backguide pads)	mm	960	960



BSP International Foundations Ltd.

Claydon Industrial Park, Gipping Road,
Great Blakenham, Ipswich IP6 0JD England
Telephone +44 (0)1473 830431 Fax +44 (0)1473 832019
email bsp@texholdings.demon.co.uk

We reserve the right to amend specification at any time in the interest of quality and performance.